



Summary

[Request a quote](#)

[Catalog](#)

Low Voltage	7
Wire Size/AWG	24 - 16
Gender	Reverse Gender
Plug	Plug - Elbow
Locking system	Push-pull
Jacket cable outside diameter [mm]	10.10 - 11.00 mm
Size	3N
Series	N - Nuclear Stainless Steel

Technical details

https://www.lemo.com/int_en/solutions/supreme/n-nuclear-stainless-steel/fhg-3n-307-tlly11.html

LEMO products and services are provided "as is". LEMO makes no warranties or representations with regard to LEMO product & services or use of them, express, implied or statutory, including for accuracy, completeness, or security. The user is fully responsible for his products and applications using LEMO components.

Electrical Configuration

Contact Termination Low voltage	Solder
R (max)	3.5 mOhm
Insert configuration value	3N.307 - 7 Low Voltage
Insulator	L: PEEK (UL 94 / V-0/1.5)
Contact Type	Solder
Max. Solid Conductor	1 mm ² (AWG 16)
Max. Stranded Conductor	1 mm ² (AWG 18)
Bucket Dia.	1.4 mm (0.055in)
Contact Dia.	1.6 mm (0.063in)
Low Voltage	7
Wire Size/AWG	24 - 16
Gender	Reverse Gender

Form & Material

Shell style / Model id	FHG - Elbow plug (90°) with positioning pin, cable clamp and rough handling surface
Plug	Elbow
Housing material	Stainless steel shell, collet nut and latch sleeve, nickel plated [SAE AMS QQ N 290] brass mid pieces
Locking system	Push-pull
Keying	Push-Pull latch for manipulator. Female contacts
Weight	263.41 g

Environment

Technical domain	Energy and Industrial, Specialties and Other
Environmental protection (IP rating)	IP66

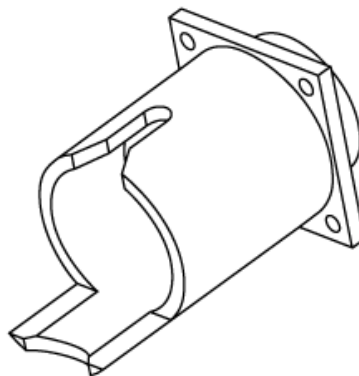
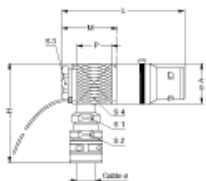
Cable fixation

Cable termination protection	Standard back nut (no additional protection)
Fixation type	Cable collet
Jacket cable outside diameter [mm]	10.10 - 11.00 mm

https://www.lemo.com/int_en/solutions/supreme/n-nuclear-stainless-steel/fhg-3n-307-tlly11.html

LEMO products and services are provided "as is". LEMO makes no warranties or representations with regard to LEMO product & services or use of them, express, implied or statutory, including for accuracy, completeness, or security. The user is fully responsible for his products and applications using LEMO components.

Drawings



Dimensions

	A	D	E	H	L	M	P	S1	S2	S3	S4
mm.	25	28	24	70.2	82.3	34.6	23	17	20	18	24
in.	0.98	1.1	0.94	2.76	3.24	1.36	0.91	0.67	0.79	0.71	0.94

https://www.lemo.com/int_en/solutions/supreme/n-nuclear-stainless-steel/fhg-3n-307-tlly11.html

LEMO products and services are provided "as is". LEMO makes no warranties or representations with regard to LEMO product & services or use of them, express, implied or statutory, including for accuracy, completeness, or security. The user is fully responsible for his products and applications using LEMO components.